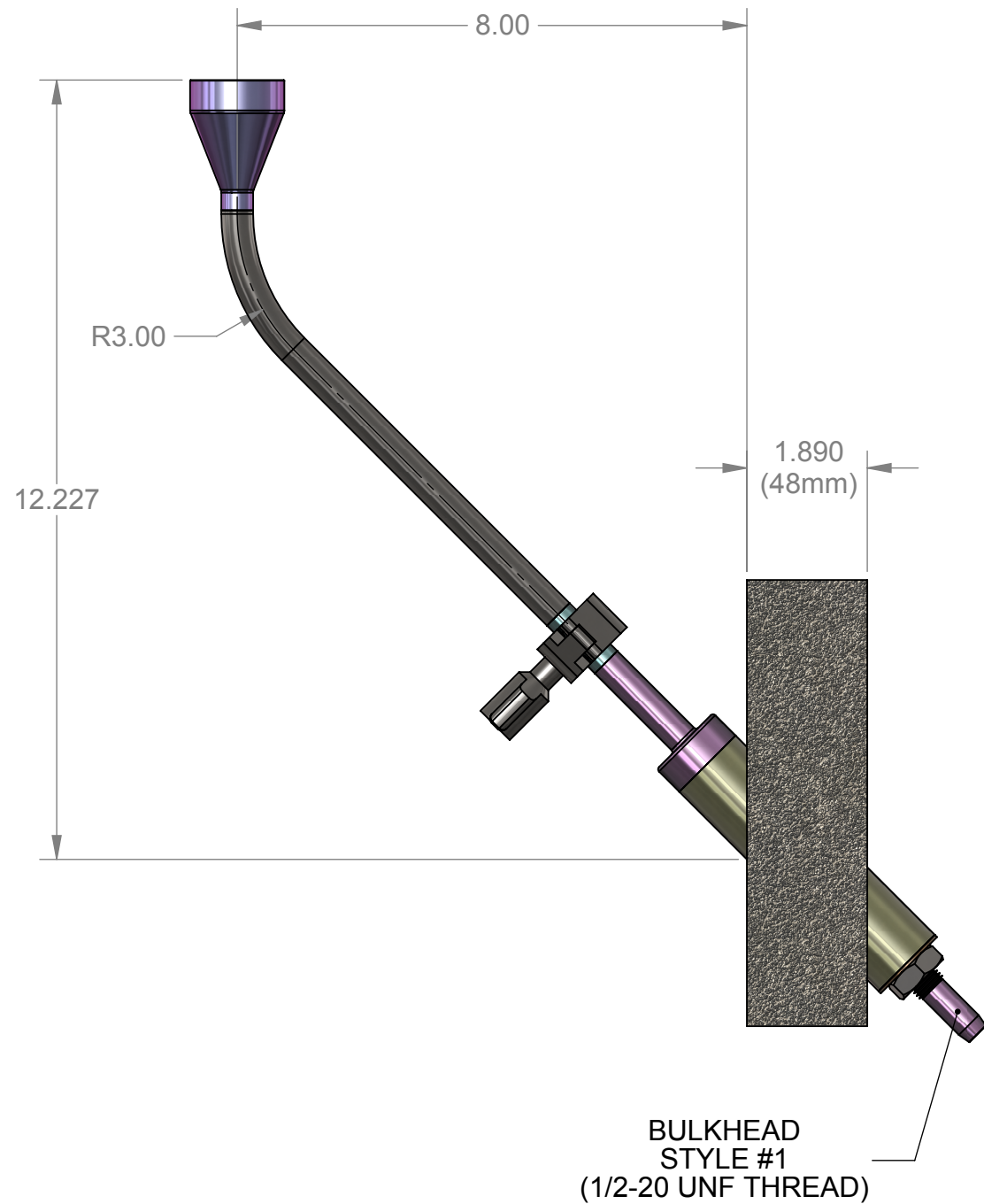
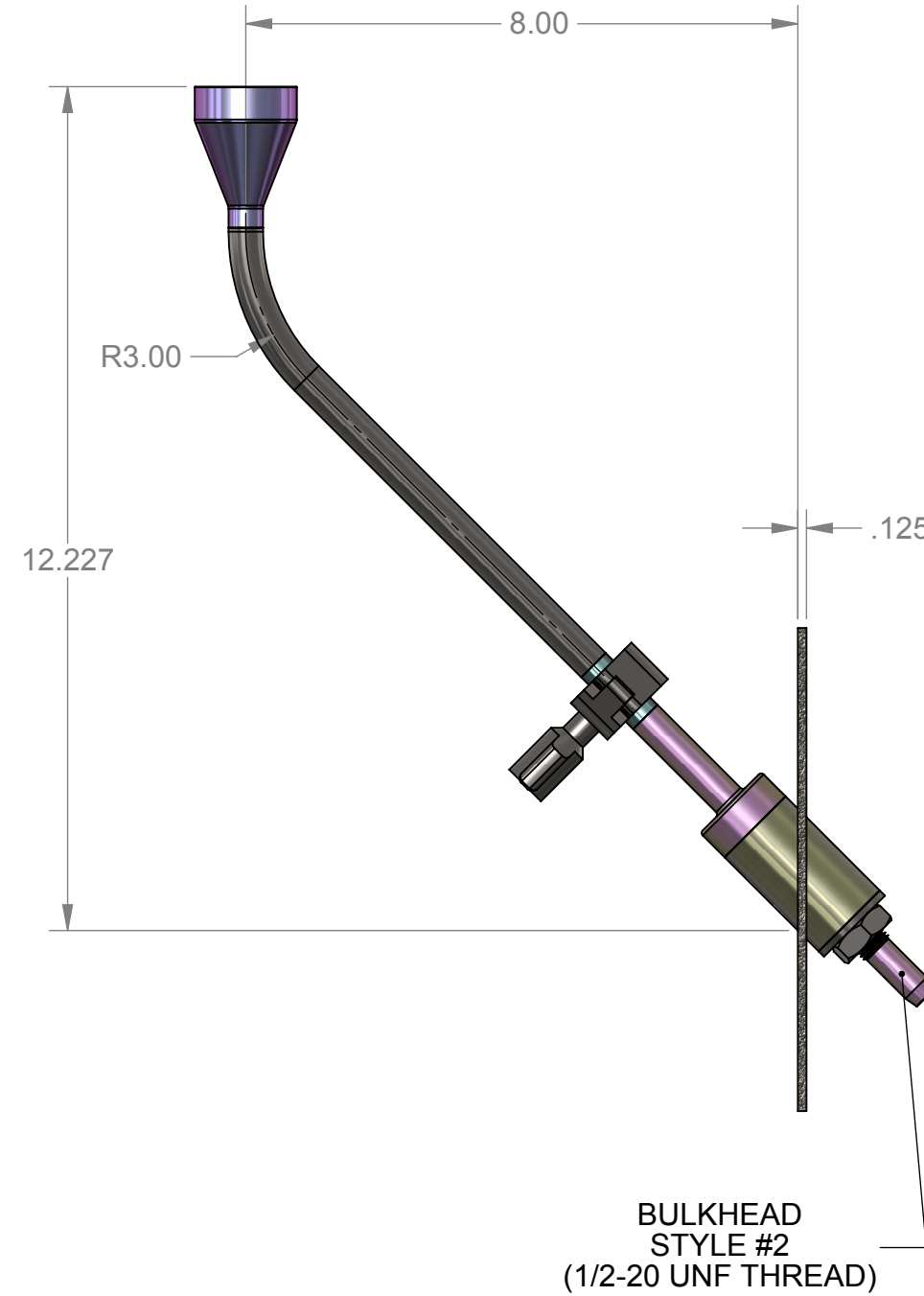


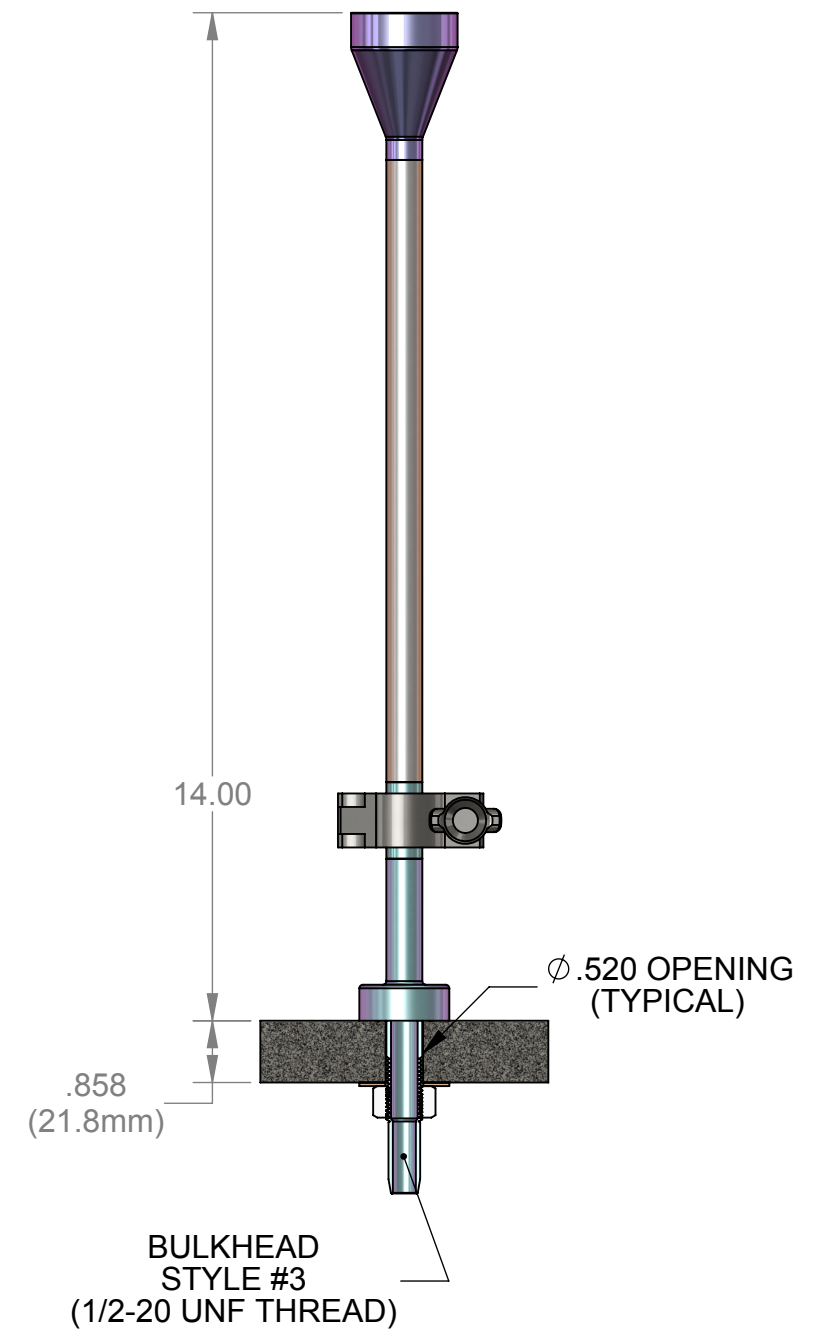
ISOKINETIC PROBE
THICK WALL, 45 DEGREE
P/N 012705-01



ISOKINETIC PROBE
THIN WALL, 45 DEGREE
P/N 012705-02



ISOKINETIC PROBE
TABLETOP, STRAIGHT
P/N 012705-00



CLIMET
CUSTOM PROBE CONCEPT
SCALE: 3 : 8

BY: N.T
DATE: 05-05-2017